

## Series 700 Compacting Mobile Storage System

Denstor's Series 700 Manual Compacting Mobile Storage System's unique wheel and track provides maximum carriage retention and ease of movement under the varying loads and demanding conditions found in most retail applications. The Series 700 compacts rows of shelving units, eliminating unnecessary aisles between units to increase storage capacity.

- ↔ *Series 700 systems are specifically designed for retail applications*
- ↔ *Series 700 carriages will easily move up to 3,500 lbs. on carriages up to 12' long*
- ↔ *Space savings up to 400%*
- ↔ *System access through just one mobile aisle*
- ↔ *Easily relocated or expanded to accommodate system growth*
- ↔ *Low-profile tracks require no decking or false floors*
- ↔ *Series 700 carriage and tracks are designed to withstand the constant, everyday use found in the retail stockroom environment*



## Series 700 Specifications and Component Features

**Series 700 System** - compacts rows of shelving units, eliminating unnecessary aisles between units to increase storage capacity. This system's unique wheel and track provides maximum carriage retention and ease of movement under varying loads and demanding conditions. The Series 700 system consists of multi-wheeled carriages riding on tracks anchored directly to a standard floor.

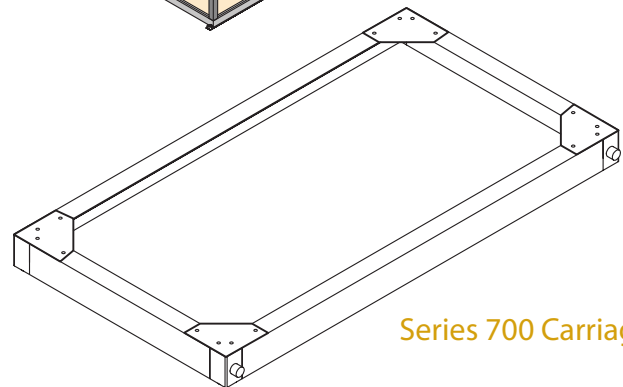
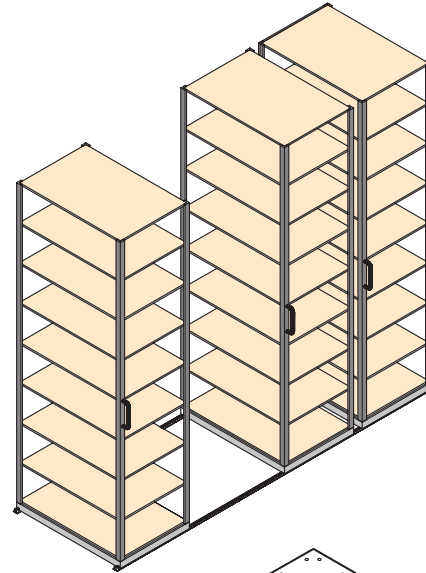
**Carriage** - are custom built to shelving unit dimensions and configurations. They are constructed utilizing 6063-T5 aluminum alloy rails. Rails are 2" x 2" x 1/8" extruded aluminum angles. Corner assemblies support a 2-3/4" concave, hardened steel wheel with a 1-5/8" x 1/2" hardened steel, lubricated and sealed ball bearing on a 1/2" diam. steel axle.

**Track** - will conform to minor floor irregularities without external support and anchor directly to existing floor with minimal floor preparation. The Series 700 Track must function properly without shimming or leveling at floor variances of 1/8" in 5'. Should floor vary more than 1/8" in 5', a provision shall be made for shimming with aluminum or steel shims. Track is extruded from 6063-T5 aluminum with two hardened steel inserts to provide a wear resistant running surface for carriage wheels. The steel inserts consist of 1/4" diam. rods oil tempered, medium bessler, straightened and cut. Steel inserts shall be installed in the aluminum extrusion at the factory, to provide a low rolling resistance to carriage wheels.

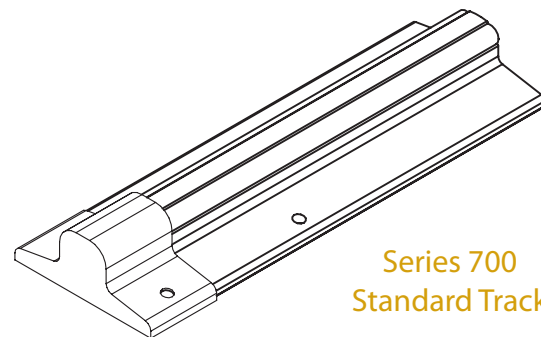
**Height** - The Series 700 carriage tracks are 3/4" in height. Series 700 Carriages are typically 3-1/8" high. When carriages are resting on carriage tracks, the bases of the storage units are typically 3-1/2" from the floor.

**Weight Capacities** - each individual wheel assembly is capable of supporting 1,000 lbs. of load. The Series 700 carriages will easily move up to 3,500 lbs. on carriages up to 12' long.

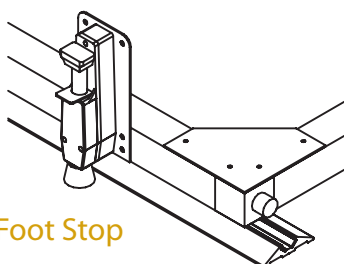
**Effort of Movement** - carriages move easily requiring 5 lbs. of user effort for every 1,500 lbs. of storage load to move.



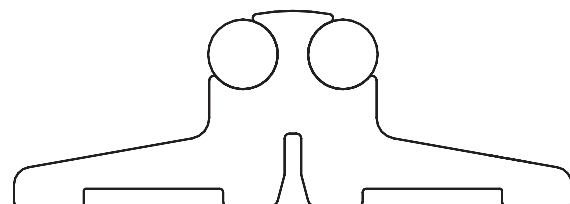
Series 700 Carriage



Series 700 Standard Track



Series 700 Foot Stop



Series 700 Standard Track - Profile